

# ARIA S43 | Outdoor chair ☁️☀️

**Romano Marcato** | 2007





**Romano Marcato** | 2007

This chair not only recalls the lightness of air in its name but also in its essential design and the reduced weight of its materials. Ideal for outdoor use and perfect in any natural environment, this chair combines a strong stainless steel frame with the optimum adaptability of the cord around the perimeter of the backrest and its large square seat. This chair, the version with armrests and the stool version are all stackable. Where horizons open up, you can find ARIA.



# ARIA

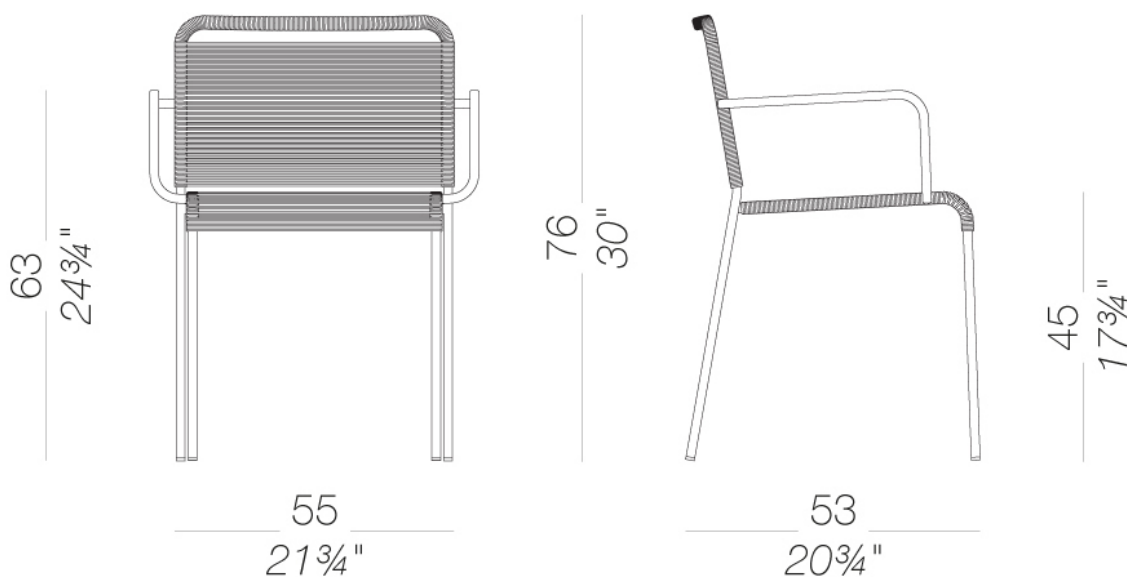
Romano Marcato | 2007



## S43 | Outdoor chair stackable with armrests

### ARIA | S43

Stackable armchair in stainless steel 304 sandblasted or polyester powder coated white or black. Seat and back are handmade with cord in double polyester twisted thread with a cotton finishing. Glides in polythene. The stool is available in the same finish.



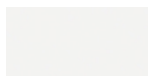
# ARIA S43 | Outdoor chair

**Romano Marcato** | 2007

## frame



powder coating  
black  
1 Colors



powder coating  
white  
1 Colors

## seat/back



cord  
cord  
3 Colors

## consult the folder of materials for the range of colors and fabrics

### use and maintenance instructions

Outdoor fabrics are lined unglued, therefore any creasing in the upholstery is an inevitable consequence of use and cannot be considered grounds for any claims.

Do not use detergents containing bleach, hydrochloric acid or products containing chloride on any metal parts. Salt, limescale or acid (from coffee, wine, orange juice, tomato juice, lemon, etc.) may discolour stainless steel parts if they are not promptly cleaned. Products or parts made of stainless steel used near the sea or in interior fittings of swimming pools require more frequent cleaning to remove chloride deposits and prevent corrosion and chemical attack of the external surface. Stains on stainless steel surfaces must be promptly cleaned. If left for a long time they can become permanent.

To prolong the life of the product, clean the surfaces regularly, dry them with a clean cloth and remove any stagnant water, especially if exposed in locations with a high level of humidity or a marine climate. When not in use, we recommend storing in sheltered places and covering with waterproof protection. In this case, it is advisable to remove the cover and ventilate the product frequently and regularly to avoid the onset of any mould or stains due to damp.

THE WARRANTY WILL NOT COVER DEFECTS OR IMPERFECTIONS RESULTING FROM THE PASSAGE OF TIME OR TO WEAR AND TEAR DUE TO THE NORMAL USE OF THE PRODUCT.